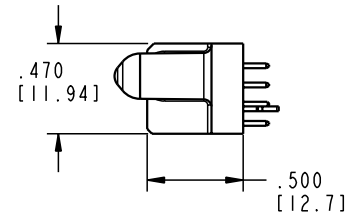
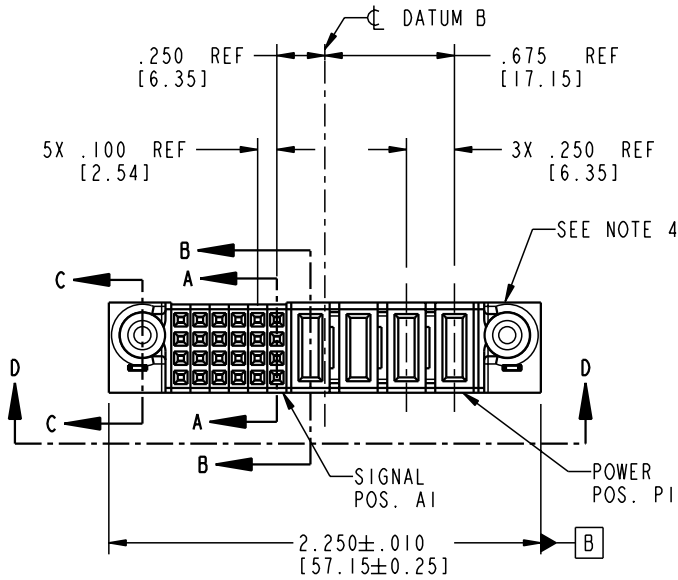


Tous droits strictement réservés. Reproduction ou communication o des liers interdite sous quelque forme que ce soit sans autorisation écrite du propriétaire. Propriete de c FCI. Droits de reproduction FCI.

All rights strictly reserved. Reproduction or issue to third parties in any form whenever is not permitted without written authority from the proprietor. Property of FCI. Copyright FCI.

PRODUCT NO.	ROWS	SIGNAL					POWER				E1		
		E2	6	5	4	3	2	1	P4	P3		P2	P1
51742-10402400AA	D C B A												



CODE	DIM "M" MATING LENGTH	CONTACT TYPE
E	N/A [N/A]	SIGNAL
PA	.042 [1.07]	POWER
HA	N/A [N/A]	HOLD-DOWN

mat'l code				SEE NOTE 2		tolerances unless otherwise specified		CUSTOMER		 www.fciconnect.com	
ltr	ecm no.	dr	date	linear	.XX±.01/0.X±0.3	projection	COPY		title		
A	V21070	JWS	06-17-02	angles	.XXX±.005/0.XXX±0.13		4P + 24S		VERTICAL SOLDER RECEPTACLE		
				dr	J. SHAFFER 06-17-02	INCH/MM		product family		code	
				engr	M. MOSTOLLER 06-17-02	scale		PwrBlade		213	
				chr	M. MOSTOLLER 06-17-02	1:1		size		sheet	
				appd	M. MOSTOLLER 06-17-02			A		1 of 4	
sheet index		revision sheet		A	A	A	A	cage code		4	
		1 2		3	4			22526			

Pro/E

3

cage code 22526

4

PDM: Rev:A

STATUS: Released

Printed: Aug 14, 2007

Tous droits strictement réservés. Reproduction ou communication o des liens interdite sous quelque forme que ce soit sans autorisation écrite du propriétaire. Propriete de c FCI. Droits de reproduction FCI.

**A**  
**FCI**

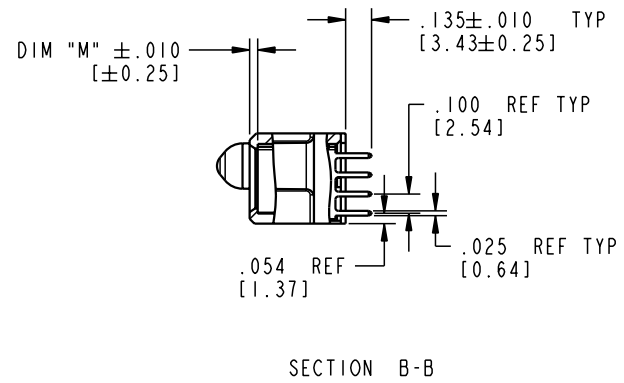
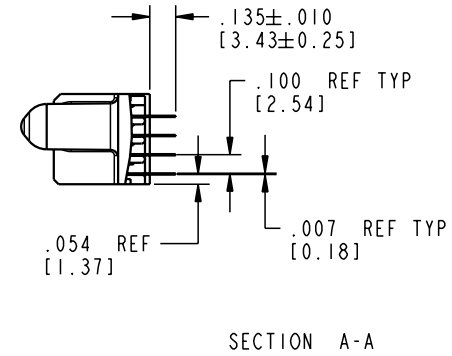
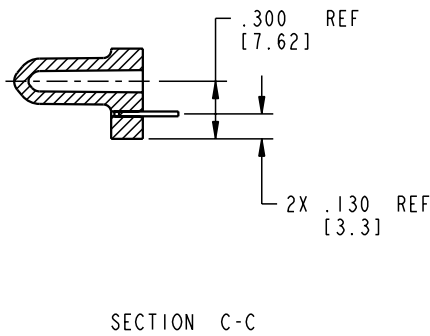
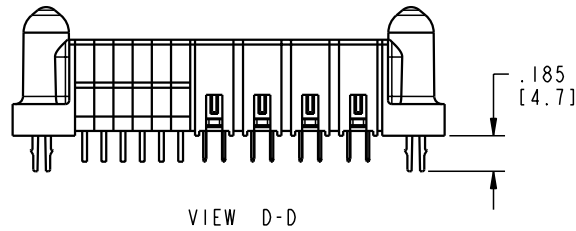
All rights strictly reserved. Reproduction or issue to third parties in any form whatever is not permitted without written authority from the proprietor. Property of FCI. Copyright FCI.

**A**

**FCI**

**B**


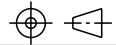
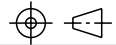
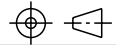
PRODUCT NUMBER  
51742-10402400AA



**A**

**FCI**

**B**

mat'l code				SEE NOTE 2		tolerances unless otherwise specified		CUSTOMER		 www.fciconnect.com	
ltr	ecn no.	dr	date	linear	.XX±.01/0.X±0.3		COPY		 INCH/MM	title	
A					.XXX±.005/0.XX±0.13		projection			4P + 24S	
					.XXX±.0020/0.XXX±0.051		 INCH/MM			VERTICAL SOLDER RECEPTACLE	
				angles	0° ± 2°		 INCH/MM		product family		
				dr	J. SHAFFER	06-17-02	scale		PwrBlade		code
				enr	M. MOSTOLLER	06-17-02	1:1		size		213
				chr	M. MOSTOLLER	06-17-02			dwg no		sheet
				appd	M. MOSTOLLER	06-17-02			A 51742-10402400AA		2
sheet index		revision sheet									

1 | 2

Pro/E

3 |

cage code 22526

4

**PDM: Rev:A**

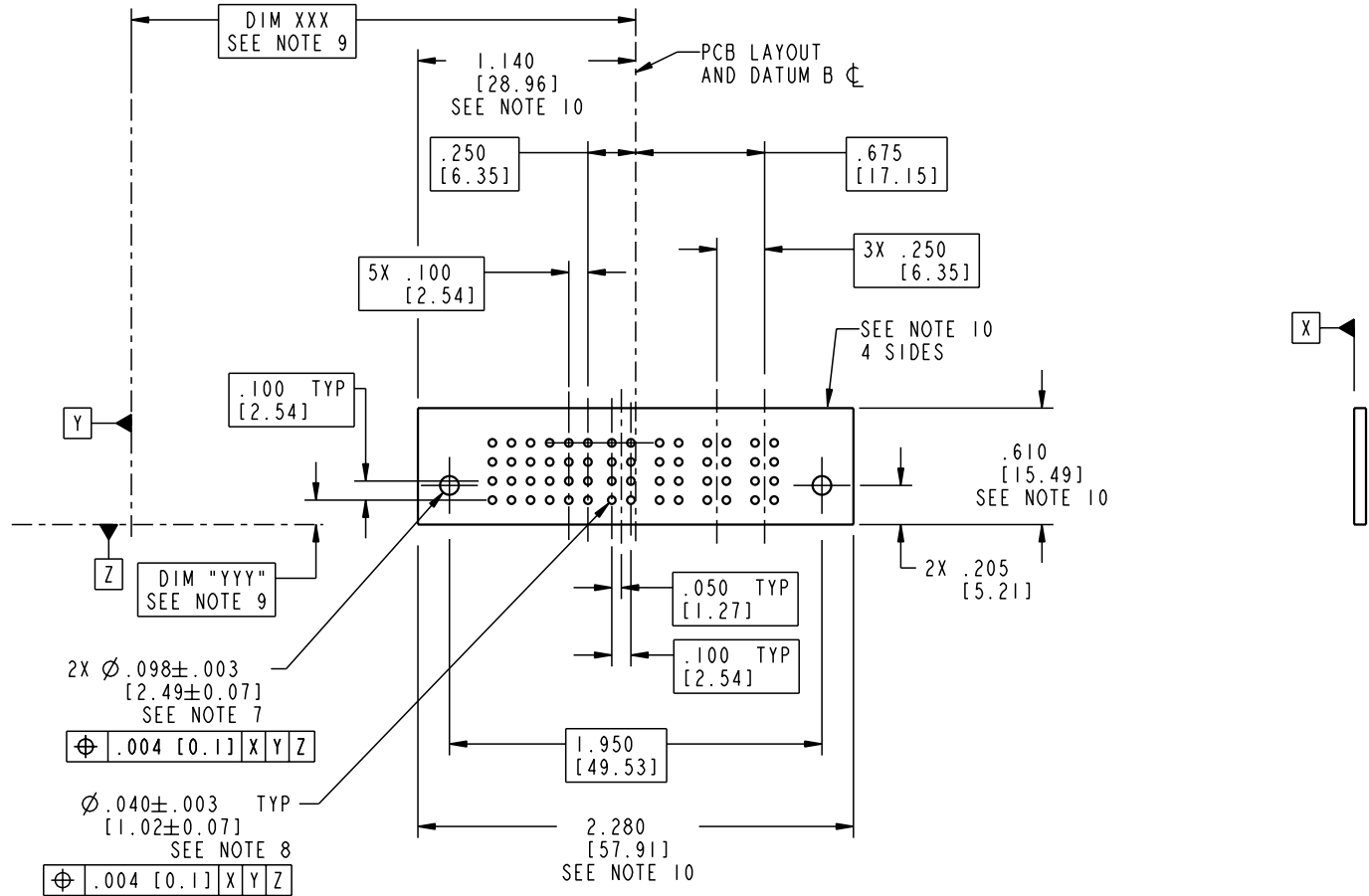
STATUS: **Released**


Printed: Aug 14, 2007

Tous droits strictement réservés. Reproduction ou communication o des tiers interdite sous quelque forme que ce soit sans autorisation écrite du propriétaire. Propriété de c FCI. Droits de reproduction FCI.

All rights strictly reserved. Reproduction or issue to third parties in any form, whatever is not permitted without written authority from the proprietor. Property of FCI. Copyright FCI.

PRODUCT NUMBER  
51742-10402400AA



mat'l code SEE NOTE 2				tolerances unless otherwise specified		CUSTOMER		 www.fciconnect.com	
ltr	ecn no.	dr	date	linear	.XX±.01/0.X±0.3	COPY			
A				angles	.XXX±.005/0.XX±0.13 .XXX±.0020/0.XXX±0.051	INCH/MM		title 4P + 24S VERTICAL SOLDER RECEPTACLE	
				dr	J. SHAFFER 06-17-02	scale 1:1		product family PwrBlade	code 213
				enr	M. MOSTOLLER 06-17-02			size A	sheet 3
				chr	M. MOSTOLLER 06-17-02			dwg no 51742-10402400AA	
				appd	M. MOSTOLLER 06-17-02				
sheet index	revision sheet								

Pro/E

cage code 22526

PDM: Rev:A

STATUS: Released

Printed: Aug 14, 2007

Tous droits strictement réservés. Reproduction ou communication o des tiers interdite sous quelque forme que ce soit sans autorisation écrite du propriétaire. Propriété de c FCI. Droits de reproduction FCI.

**A**  
**FCI**

All rights strictly reserved. Reproduction or issue to third parties in any form, whenever is not permitted without written authority from the proprietor. Property of FCI. Copyright FCI.

**B**

PRODUCT NUMBER  
51742-10402400AA

NOTES:

1. DIMENSIONS AND TOLERANCES ARE IN ACCORDANCE WITH ASME Y14.5M, 1994 UNLESS OTHERWISE SPECIFIED.

CONNECTORS NOTES:

② HOUSING MATERIAL: UL 94 V-0 GLASS FILLED HIGH-TEMP THERMOPLASTIC  
POWER CONTACT MATERIAL: COPPER ALLOY  
SIGNAL PIN MATERIAL: COPPER ALLOY

3. PLATING:

SIGNAL PINS: 30u"/0.76um Au OVER 50u"/1.27um Ni  
POWER CONTACTS: 50u"/1.27um Ni UNDER ALL WITH 30u"/0.76um Au ON CONTACT AREA AND SnPb ON PCB INTERFACE

④ MANUFACTURER'S NAME, P/N, AND DATE CODE TO APPEAR ON THIS SURFACE.

5. PRODUCT SPECIFICATION GS-12-149.  
APPLICATION SPECIFICATION BUS-20-067

PCB - NOTES:

6. ALL HOLE DIAMETERS ARE FINISHED HOLE SIZE.

⑦ MOUNTING HOLES, WHERE APPLICABLE, ARE UNPLATED.

⑧  $\varnothing .0453 \pm 0.0010$  [1.151  $\pm$  0.025] DRILLED HOLES PLATED WITH 0.0003 [0.008] MIN SnPb OVER .001 [0.03] TO .003 [0.08] Cu PLATING TO ACHIEVE  $\varnothing .040 \pm .003$  [1.02  $\pm$  .07] HOLE.

⑨ "DIM XXX" AND "DIM YYY" TO BE DETERMINED BY THE CUSTOMER.

⑩ CONNECTOR KEEP-OUT ZONE.

mat'l code				SEE NOTE 2		tolerances unless otherwise specified		CUSTOMER		<b>A</b> <b>FCI</b> www.fciconnect.com	
ltr	ecn no.	dr	date	linear	.XX±.01/0.X±0.3		COPY		title 4P + 24S VERTICAL SOLDER RECEPTACLE		
A					.XXX±.005/0.XX±0.13		projection				
				angles	.XXX±.0020/0.XXX±0.051				product family PwrBlade code 213		
				dr	J. SHAFFER	06-17-02	INCH/MM		size		sheet 4
				enr	M. MOSTOLLER	06-17-02	scale		A 51742-10402400AA		
				chr	M. MOSTOLLER	06-17-02	1:1				
				appd	M. MOSTOLLER	06-17-02					
sheet index	revision sheet										

**A**

**B**

1 | 2

3 |

4

1 | 2

Pro/E

3 |

cage code 22526

4